





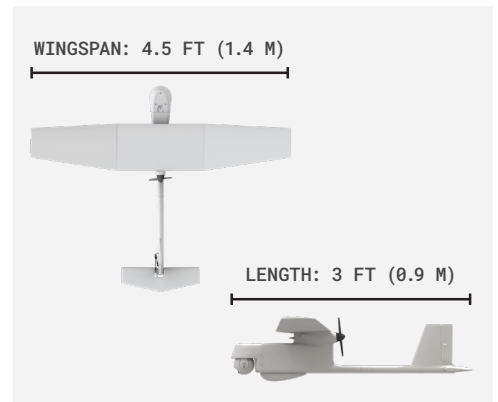
# Raven® B RQ-11B



Raven® is the most widely deployed small unmanned aircraft system in the world, designed for rapid deployment and high mobility for military or commercial operations requiring low-altitude intelligence, surveillance and reconnaissance. Hand-launchable, Raven provides situational awareness, day or night, with an operational range of 6.2 miles (10 kilometers) and delivers real-time video or infrared imagery to ground control and remote viewing stations via the Mantis™ i23 imaging payload system.

## \_Distinctions

 <b>LINK RANGE</b> 6.2 mi (10 km)	 <b>WINGSPAN</b> 4.5 ft (1.4 m)	 <b>WEIGHT</b> 4.8 lb (2.2 kg)	 <b>ENDURANCE</b> 75+ min
	<b>LENGTH</b> 3 ft (0.9 m)		

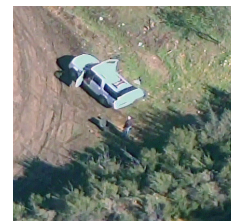


## \_Specifications

<b>PAYLOADS</b>	Mantis™ i23: Dual 5 MP EO/IR + LWIR Mantis™ i23 D: Dual 18 MP EO
<b>SPEED</b>	Cruise: 32 km/h (17 kts) Dash: 81 km/h (44 kts)
<b>OPERATING ALTITUDE</b>	100–500 ft (30–152 m) AGL, typical Max. launch 14k ft (4,267 m) MSL
<b>GCS</b>	Tomahawk (standard); compatible with Crysalis™ and Legacy GCS
<b>LAUNCH METHOD</b>	Hand-launched
<b>RECOVERY METHOD</b>	Autonomous or manual precision deep-stall landing

## \_Key Features

- > Backpackable, lightweight & hand launchable
- > Field-swappable Mantis™ i23 & i23 D payloads
- > Rugged for extended, reliable use in harsh environments
- > Rapidly deployable ISR with real-time full-motion video



Downlink imagery from EO camera



Downlink imagery from IR camera

