

Freedom Eagle - 1



AV's Freedom Eagle-1, or FE-1, is a next-generation C-UAS kinetic missile that rapidly and affordably enhances warfighter lethality, survivability, and combat effectiveness, providing an agile and disruptive new technology to the munition industrial base and expanding national security air defense capabilities.

Next-Gen C-UAS Kinetic Missile

FREEDOM EAGLE

_Key Features

[POWERFUL PROTECTION]

Enhanced maneuverability and increased lethality and range against Group 3 UAS and other larger air threats

[EASE OF INTEGRATION]

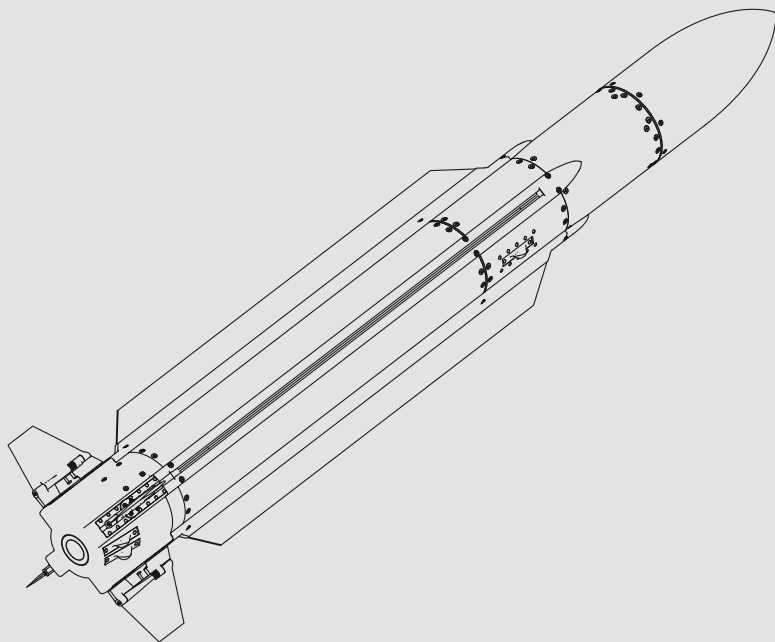
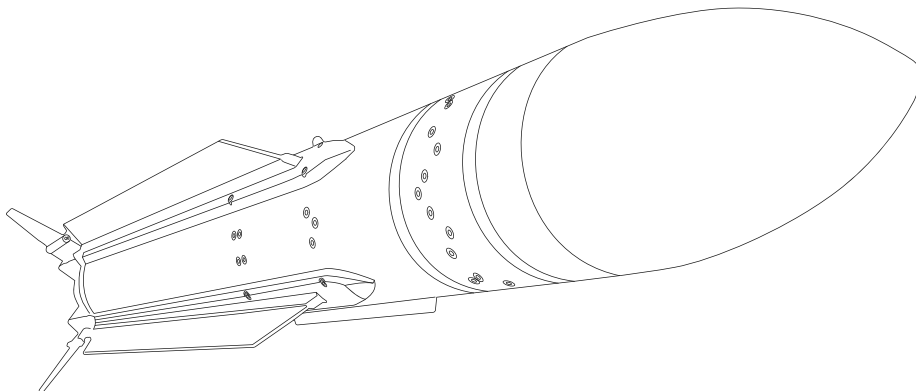
Seamlessly integrates with existing infrastructure and command and control (C2) networks and radar agnostic for flexible Concept of Operations (CONOPS), enabling a rapid deployment timeline

[SWAP SUPERIORITY]

Significantly reduced size, weight, and power (SWaP) demands as compared with other current air defense weapons systems

[MISSION READY]

Modular architecture and software-defined front end can be integrated with other rocket motors for even greater range and maneuverability against sub-sonic and supersonic threats



NEXT GENERATION C-UAS KINETIC MISSILE



CONTROLLED TEST VEHICLE (CTV) LIVE FIRE DEMONSTRATION AT YUMA PROVING GROUND IN MARCH 2025.