

# Switchblade® 300 BLOCK 20 LOITERING MUNITION



Switchblade® 300 Block 20 is the next-generation successor to the combat-proven Switchblade 300, providing the warfighter with a rapidly deployable precision strike munition for engaging beyond-line-of-sight (BLOS) with lethal effects. Building on AeroVironment's family of loitering munition systems, Switchblade 300 Block 20 offers enhanced operational features including high-resolution EO/IR cameras, longer endurance and a touch screen Fire Control System (FCS) allowing operators to easily train, plan and execute missions. This lightweight, miniature, precision loitering munition provides real-time video and Cursor-on-Target GPS coordinates, delivering the actionable intelligence and precision firepower needed to achieve mission success across multiple domains.

## \_Distinctions



### RANGE

30 km (with Extended Range Antenna)



### ENDURANCE

20+ min



### WEIGHT

Munition: 3.69 lb (1.68 kg)  
AUR: 7.2 lb (3.27 kg)



### SPEED

Loiter: 63 mph (101 km/h)  
Sprint: 100 mph (161 km/h)

## \_Specifications

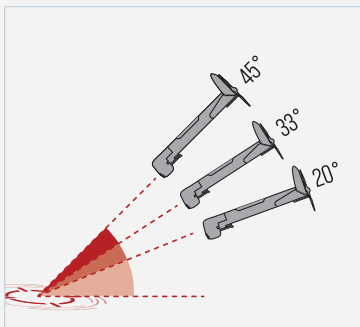
<b>FIRE CONTROL SYSTEM</b>	Tablet-based FCU with Tap-to-Target guidance with built-in mission planner and training simulator; interoperable with Switchblade 600 FCU
<b>TARGETING OPTICS</b>	Enhanced EO/IR with forward to left hand panning camera suite
<b>OPERATING ALTITUDE</b>	Flight <500 ft (152.4 m) AGL; supports operation >15,000 ft (4572 m) ASL
<b>LAUNCH METHOD</b>	Self-contained launcher for ground, air & maritime; configurable multipack capability
<b>LETHALITY</b>	Anti-personnel effects; precision strike with low collateral effects
<b>TACTICAL LOAD-OUT</b>	AUR: 8 lb, fits inside rucksack (includes payload, launcher, transport bag)

## \_Key Features

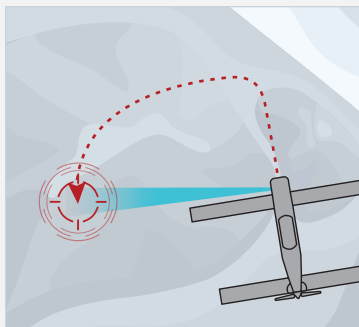
- > Backpackable—lightweight, multiple All-Up-Round (AUR) load-out
- > Enhanced frequency hopping Digital Data Link™ covering more frequencies & supporting AES-256-bit encryption
- > Advanced Munition—multiple commit angles, user-selectable point of detonation, left hand commit with continuous Positive Identification (PID)
- > One-person operation—system can be rapidly deployed in <2 min
- > Patented wave-off feature & recommit capability
- > Intuitive touch screen tablet Fire Control Unit (FCU)



SWITCHBLADE 300 BLOCK 20 PRECISION LOITERING MUNITION



3 USER-SELECTABLE ATTACK ANGLES



DIRECT ATTACK FROM ORBIT // MAINTAIN PID



LAUNCHER WITH INTEGRATED LAUNCH CONTROL



FIRE CONTROL SYSTEM WITH TABLET CONTROLLER