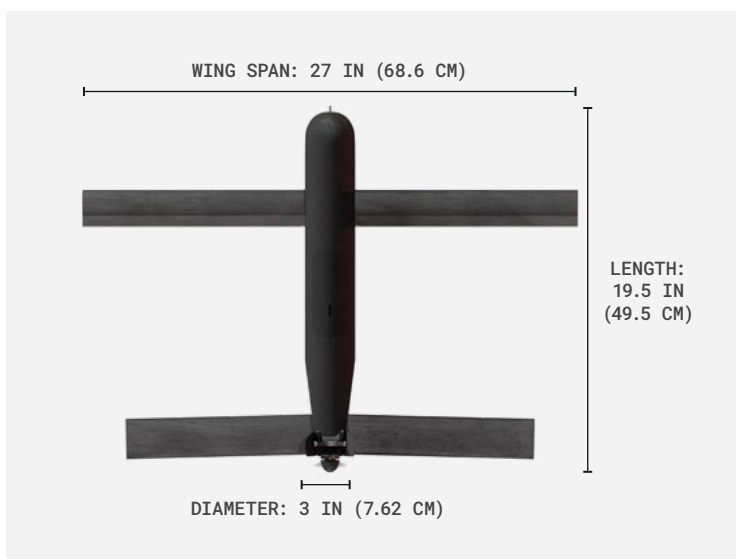


Blackwing™ LOITERING RECONNAISSANCE SYSTEM

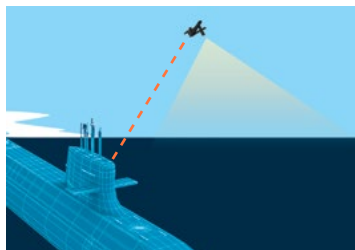


AV's innovative Blackwing is a small, Unmanned Aircraft System (UAS) that delivers rapid-response Intelligence, Surveillance and Reconnaissance (ISR). The system can be deployed from an underwater submarine using an underwater-to-air delivery canister or ship surface/mobile ground vehicle via tube or Multipack Launcher (MPL). Blackwing incorporates an advanced, miniature Electro-Optical and Infrared (EO/IR) sensor and provides operators with real-time video for information gathering and feature/object recognition.

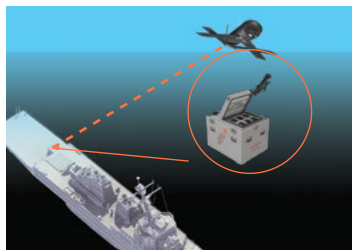


Key Features

- > Rapid Launch—Rapid-Response ISR
- > Weight: 4 lb
- > Launch method—underwater-to-air delivery canister, tube, MPL
- > Tactical Data Relay—UAS to UUV
- > Able to assess Below Line of Sight targets
- > Modular payload
- > Integrated EO/IR sensors—day/night operations
- > Observables—very low visual, thermal, and acoustic signatures
- > Comms—DDL-Joint, Interoperable, Encrypted, Wideband



SUBMARINE LAUNCH



SHIPBOARD LAUNCH VIA MPL

