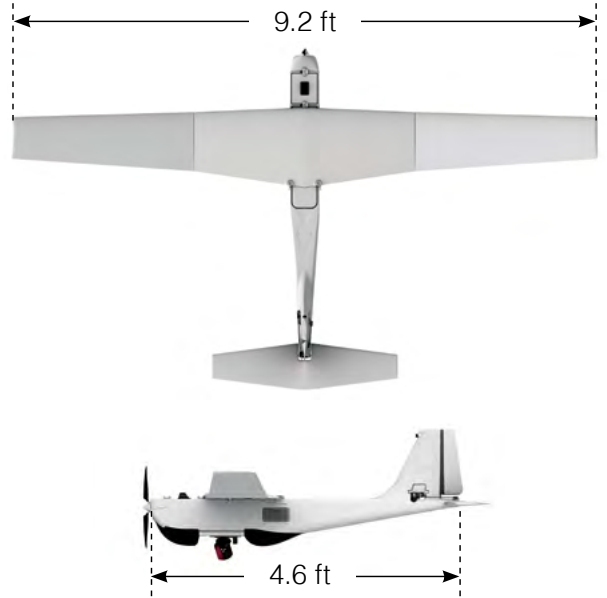


Puma™ AE RQ-20B



Puma AE (All Environment) is a fully waterproof, small, unmanned aircraft system (UAS) designed for land and maritime operations. Capable of landing in water or on land, the Puma AE empowers the operator with an operational flexibility never before available in the small UAS class. The enhanced precision navigation system with secondary GPS provides greater positional accuracy and reliability of the Puma AE. AeroVironment's common ground control system allows the operator to control the aircraft manually or program it for GPS-based autonomous navigation.



Puma is launched from a ship



Downlink imagery from EO camera

SPECIFICATIONS

| | |
|----------------------------------|--|
| PAYLOADS | Gimbaled payload, 360 degree continuous pan, +10 to -90 degrees tilt, stabilized EO, IR camera, and IR Illuminator all in one modular payload. |
| RANGE | 20 km |
| ENDURANCE | 3+ hours with an LE battery |
| SPEED | 47-83 km/h, 25 to 45 knots |
| OPERATING ALTITUDE (TYP.) | 500 ft (152 m) AGL |
| WINGSPAN | 9.2 ft (2.8 m) |
| LENGTH | 4.6 ft (1.4 m) |
| WEIGHT | 14 lbs (6.3 kg) |
| GCS | Common GCS with Raven® and Wasp® AE |
| LAUNCH METHOD | Hand-launched, rail launch (optional) |
| RECOVERY METHOD | Autonomous or manual deep-stall landing |

KEY FEATURES

- 3+ Hour flight endurance with an LE battery
- Smart Battery options to support diverse missions
- Gimbaled EO & IR payload
- Increased payload capacity with optional under wing Transit Bay
- Powerful and efficient propulsion system
- Precision navigation system with secondary GPS
- Plug and play secondary power adapter
- Reinforced fuselage for Improved durability