

# Puma™ 3 AE



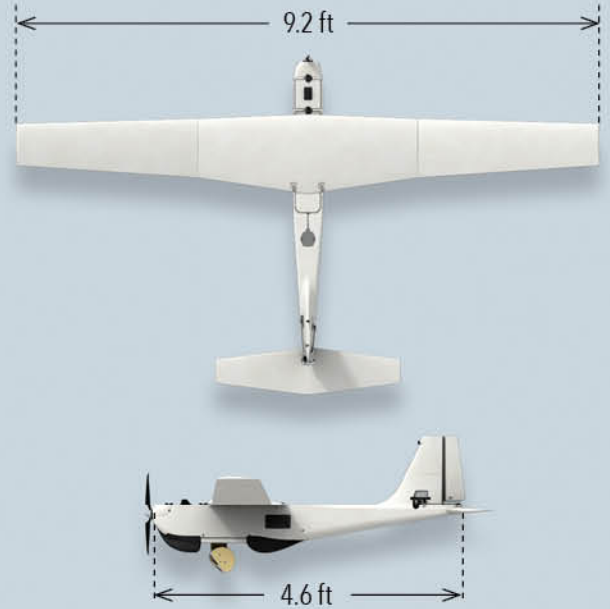
Building on a legacy of continuous improvement, the Puma 3 AE offers system level enhancements for use in land and maritime operations. The Puma 3 AE empowers the operator with an operational flexibility never before available in the small UAS class including upgrades for secondary payloads and third party applications. Equipped with the all new Mantis™ i45 Gimbal, the aircraft system provides high resolution imagery for day, night, and low light operations in extreme environments. Operators can also manually or autonomously navigate the Puma 3 AE while gaining real-time situational awareness and actionable intelligence through AeroVironment's common ground control system.



Downlink imagery from EO camera



Downlink imagery from low light camera



## SPECIFICATIONS

<b>PAYLOADS</b>	Mantis i45 Gimballed Payload with Dual 15mp EO cameras, 50x zoom, IR camera and Low Light camera for night operations, and High Power Illuminator
<b>RANGE</b>	20 km standard antenna, 60 km with LRTA
<b>ENDURANCE</b>	2.5 hour flight endurance with an LE battery
<b>SPEED</b>	47-83 km/h, 25 to 45 knots
<b>OPERATING ALTITUDE (TYP.)</b>	300-500 ft (91-152 m) AGL
<b>WINGSPAN</b>	9.2 ft (2.8 m)
<b>LENGTH</b>	4.6 ft (1.4 m)
<b>WEIGHT</b>	15 lbs (6.8 kg)
<b>GCS</b>	Common GCS with Raven® and Wasp® AE
<b>LAUNCH METHOD</b>	Hand-launched, rail launch (optional)
<b>RECOVERY METHOD</b>	Autonomous or manual deep-stall landing

## KEY FEATURES

- Gimballed EO, IR, Low Light, and Illuminator Payload
- Increased payload capacity with optional Under Wing Transit Bay and reinforced airframe
- Powerful and efficient Propulsion System
- Precision Navigation System
- Enhanced Digital Data Link covering more frequencies & supporting AES-256 bit encryption
- Reinforced fuselage & center wing accommodates heavier configurations
- Upgraded GCS laptop (CF-33) with larger screen, removable keyboard & Windows 10 support
- Reduced system packaging fits a flyable configuration in a single case